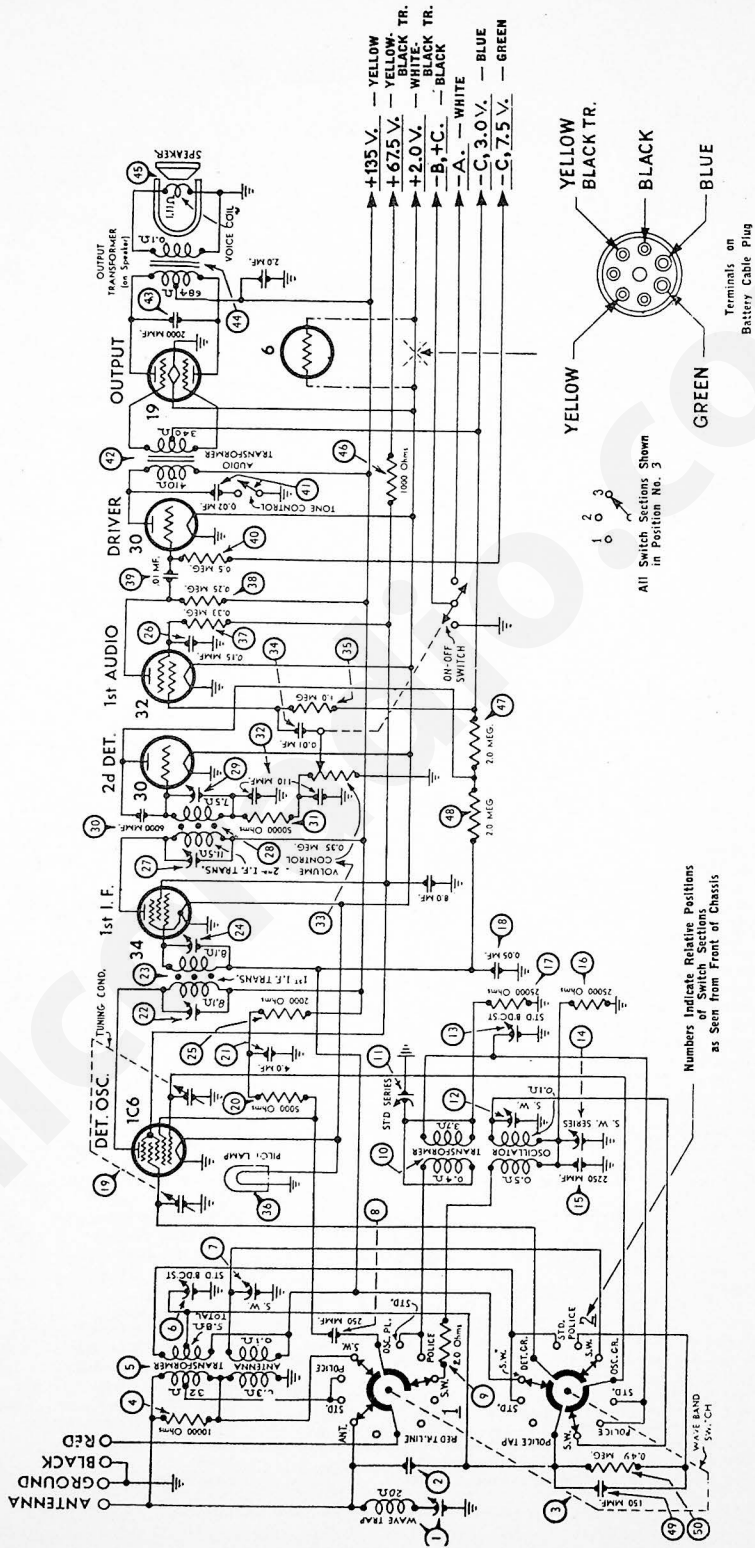
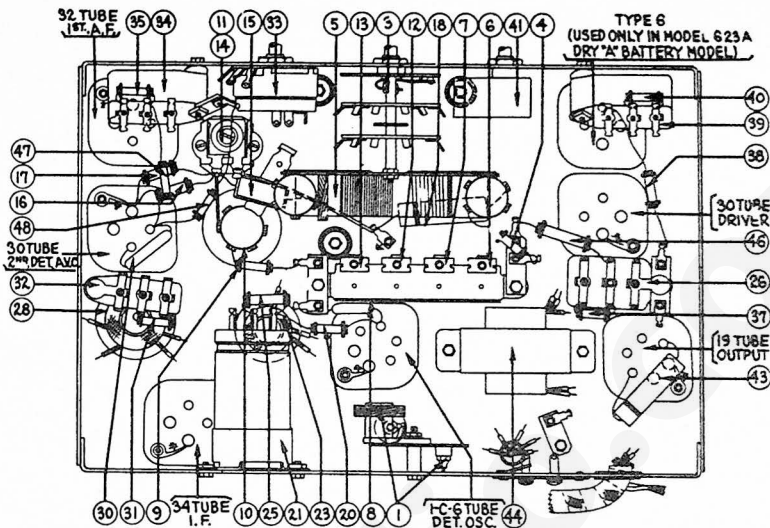


## MODEL 623 (Battery Operated)





## Replacement Parts—Model 623

Nos. in  
Figs. 3 & 4

Nos. in Figs. 3 & 4	Description	Part No.
Ⓐ	Wave Trap.....	33-6850
Ⓑ	Condenser (Capacity obtained by Twisted Wires).....	42-1112
Ⓒ	Waveband Switch.....	42-1112
Ⓓ	Resistor (10000 ohms) (Brown, Black, Orange).....	33-1000
Ⓔ	Antenna Transformer.....	32-1699
Ⓛ	Compensating Condenser (Ant. Standard).....	Part of 31-6047
Ⓜ	Compensating Condenser (Ant. S.W.).....	Part of 31-6047
Ⓝ	Condenser (.00025 Mfd. Mica).....	30-1082
Ⓟ	Resistor (20 ohms) (Red, Black, Black).....	33-1206
Ⓠ	Oscillator Transformer.....	32-1831
Ⓡ	Compensating Condenser (Osc. L.F. Standard).....	Part of 31-6027
Ⓢ	Compensating Condenser (Osc. S.W., H.F. End).....	Part of 31-6047
Ⓣ	Compensating Condenser (Osc. H.F. Standard).....	Part of 31-6047
Ⓤ	Compensating Condenser (Osc. S.W. Series).....	Part of 31-6027
Ⓥ	Condenser (.00225 Mfd. Mica).....	30-1055
Ⓦ	Resistor (25000 ohms) (Red, Green, Orange).....	33-1013
Ⓧ	Resistor (25000 ohms) (Red, Green, Orange).....	33-1013
Ⓨ	Resistor (.05 Mfd. Tubular).....	30-6030
Ⓩ	Tuning Condenser Assembly.....	31-1826
ⓐ	Resistor (5000 ohms) (Green, Black, Red).....	6098
ⓑ	Condenser (Electrolytic) (4 Mfd., 8 Mfd., 2 Mfd.).....	30-3127
ⓓ	Compensating Condenser (1st I.F. Primary).....	Part of Ⓔ
ⓔ	1st I.F. Transformer.....	32-1793
ⓖ	Compensating Condenser (1st I.F. Secondary).....	Part of Ⓔ
ⓗ	Resistor (2000 ohms) (Red, Black, Red).....	33-1028
Ⓢ	Condenser (.15 Mfd. Bakelite Block).....	6287-SG
Ⓣ	Compensating Condenser (2nd I.F. Primary).....	Part of Ⓔ
Ⓤ	2nd I.F. Transformer.....	32-1673
Ⓥ	Compensating Condenser (2nd I.F. Secondary).....	Part of Ⓔ
Ⓦ	Condenser (.008 Mfd. Mica).....	6359
Ⓧ	Resistor (50000 ohms) (Green, Brown, Orange).....	6098
Ⓨ	Condenser (.00011 Mfd. Twin Bakelite Block).....	8035-DG
Ⓩ	Volume Control and On-Off Switch.....	33-5115
ⓐ	Condenser (.01 Mfd. Bakelite Block).....	3903-SU
ⓑ	Resistor (1 Meg.) (Brown, Black, Orange).....	33-1098
ⓓ	Pilot Lamp.....	34-2065

\*Not shown in cut.

Nos. in  
Figs. 3 & 4

Nos. in Figs. 3 & 4	Description	Part No.
Ⓐ	Resistor (330000 ohms) (Orange, Orange, Yellow).....	33-1300
Ⓑ	Resistor (250000 ohms) (Red, Yellow, Yellow).....	33-1097
Ⓒ	Condenser (.01 Mfd. Bakelite Block).....	3903-SU
Ⓓ	Resistor (.5 Meg.) (Yellow, White, Yellow).....	6097
Ⓔ	Tone Control.....	30-4344
Ⓛ	Audio Transformer (On Top of Chassis).....	32-7454
Ⓜ	Condenser (.002 Mfd. Tubular).....	30-4177
Ⓝ	Output Transformer (On Chassis).....	32-7430
Ⓟ	Cone & Voice Coil Assembly (KR-3 Speaker).....	35-3159
Ⓠ	Resistor (1000 ohms) (Brown, Black, Red).....	5887
Ⓡ	Resistor (2 Meg.) (Red, Black, Green).....	33-1025
Ⓢ	Resistor (2 Meg.) (Red, Black, Green).....	33-1025
Ⓣ	Condenser (.00015 Mfd. Mica).....	30-1033
Ⓤ	Resistor (.5 Meg.) (Yellow, White, Yellow).....	6097
Ⓥ	Dial Scale.....	27-9097
Ⓦ	Dial Hub Assembly.....	31-1550
Ⓧ	Dial Spring Clamp.....	28-2827
Ⓨ	‡Basel (623-B).....	28-3163
Ⓩ	‡‡Basel Glass (623-B).....	27-9006
ⓐ	Tube Socket (4-Prong).....	27-9096
ⓑ	Tube Socket (6-Prong).....	27-9098
ⓓ	Tube Shield (Round).....	8006
ⓔ	Tube Shield Base (Round).....	8004
ⓖ	Tube Shield (Square).....	28-2726
ⓗ	Tube Shield Base (Square).....	28-2726
Ⓢ	Knob (Waveband).....	27-4319
Ⓣ	Knob (Tone, Volume).....	27-4208
Ⓤ	Knob (Station Selector).....	27-4206
Ⓥ	Knob (Slow Speed).....	27-4207
Ⓦ	Chassis Mtg. Screw.....	W-1496A
Ⓧ	Chassis Mtg. Washer (Rubber).....	27-4198
Ⓨ	Chassis Mtg. Bumper (Rubber).....	27-4197
Ⓩ	Battery Cable.....	41-3148
ⓐ	Ballast Tube Socket Jumper Wire.....	38-8061
ⓑ	‡623-F Basel.....	28-3164
ⓓ	‡‡623-F Basel Glass.....	27-9007